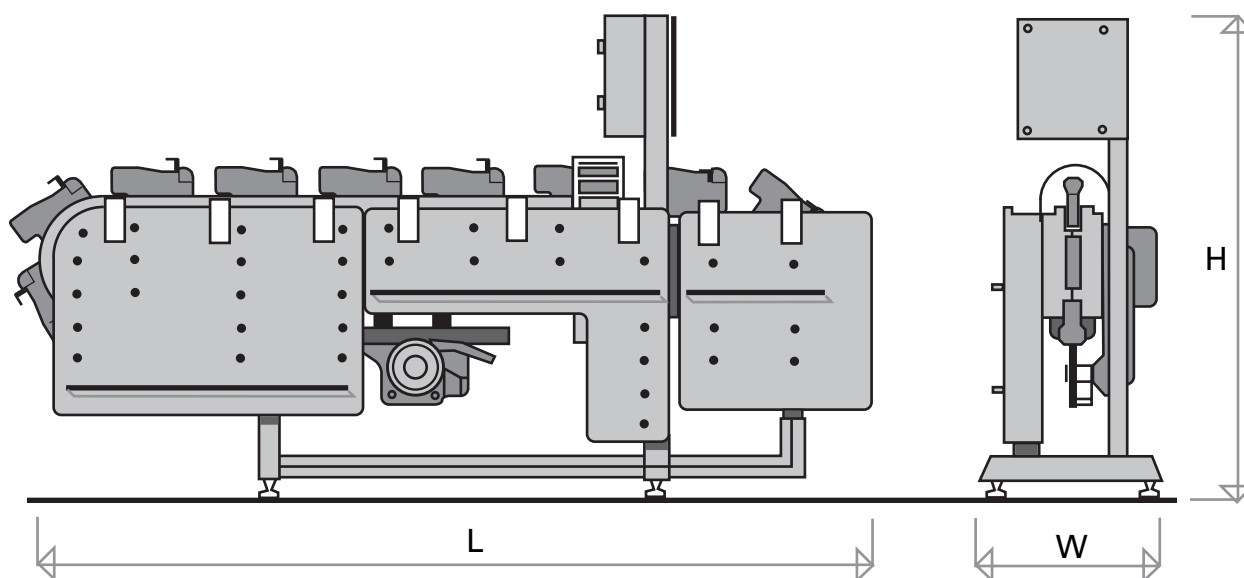


Meyn BC40 breast cap filleting machine



WWW.ERYFOOD.COM

Capacity	BPH	2,400
Product weight	gr	300-700
Length (L)	mm	2,840
Width (W)	mm	610
Height (H)	mm	1,700
Weight	kg	800
Electric power installed	kW	1x 1.5
Compressed air connection	BSP	1/4"
Compressed air consumption	m ³ /hr	0.04
Water connection (for cleaning)	BSP	3/8"

Technical Data Sheet

Head office:

Meyn Food Processing Technology B.V.
Noordeinde 68, 1511 AE Oostzaan
P.O. Box 16, 1510 AA Oostzaan
The Netherlands

T: +31 (0) 75 - 684 3355

F: +31 (0) 75 - 684 4150

I: www.meyn.nl

MEYN

Poultry Processing Solutions

Meyn BC40 breast cap filleting machine

- Products show a very high yield.
- Large weight range to be processed.
- Can easily be integrated.



WWW.ERYFOOD.COM

